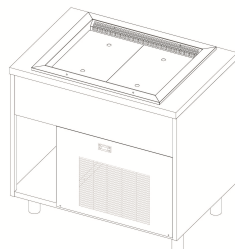


DRP MT 2 § + STRUTT. 1000x700x950

807210070710



DIMENSIONS AND WEIGHTS

External dimensions in mm. (LxPxH): 1000x700x950

Capacity (Liters): 340

Packaging dimensions in mm. (LxPxH): 1370x750x1100

Insulation thickness: 40/50

TECHNICAL FEATURES

Voltage: 230V / 50Hz / 1

Freon : R290

Defrosting: Automatic

Electronic temperature control device: Yes

Condensation discharge: Automatic

Absorption (W):

Construction materials: External/internal body made in certified AISI 304 stainless steel

Out put:

EVAPORATION RESISTANCE:

DEFROSTING RESISTANCE: /

LIGHTING ABSORPTION: /

Refrigerant charge Kg:

GWP: 3

GENERAL FEATURES

Working temperature: +4° / +10°C

Refrigeration system : STATIC

Built-in motor: Yes

Lighting: No

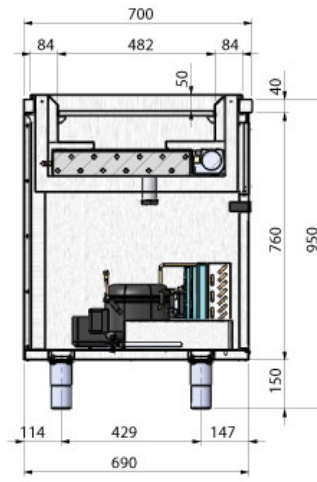
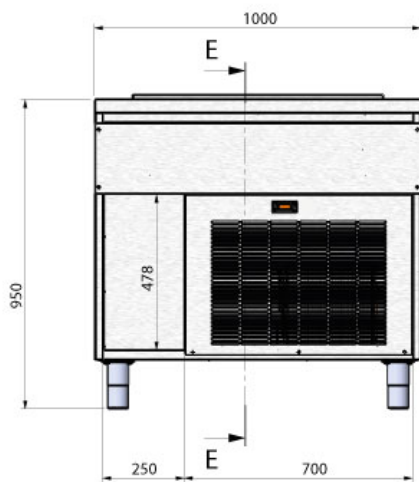
ENERGETIC FEATURES

Climate class: 4 (30°C - 55%)

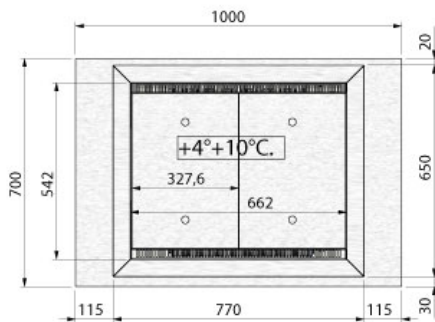
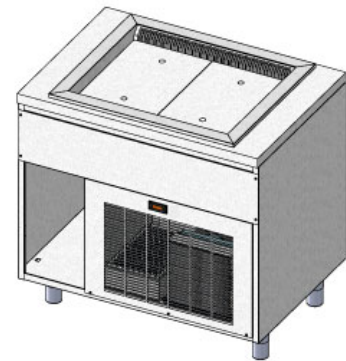
STUDIO 54 SRL

Via Gian Lorenzo Bernini 147 - 35010 San Giorgio in Bosco PD
 T +39 049 9450466 - F +39 0499451044 - Cod. fiscale e p.iva 00096970280 - R.E.A. n. 247856
 www.studio-54.it info@studio-54.it

TECHNICAL DESIGN



SEZIONE E-E



STUDIO-54 S.r.l.

Via Gian Lorenzo Bernini 147, 35010 San Giorgio in Bosco (PD)

T. +39 049 9450466 - F. +39 049 9451044 - C.F. e P.I. 00096970280 - R.E.A. n. 247856

www.studio-54.it info@studio-54.it

OPTIONAL

STUDIO 54 SRL

Via Gian Lorenzo Bernini 147 - 35010 San Giorgio in Bosco PD

T +39 049 9450466 - F +39 0499451044 - Cod. fiscale e p.iva 00096970280 - R.E.A. n. 247856

www.studio-54.it info@studio-54.it