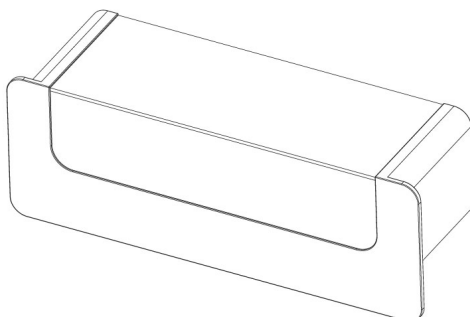


## BANCALINA + VETRO WHITE JASMINE

990x308x350

7001040002



### DIMENSIONS AND WEIGHTS

External dimensions in mm. ( LxPxH ): 990x308x350

---

### GENERAL FEATURES

### TECHNICAL FEATURES

Construction materials: VETRO - CORIAN WHITE JASMIN

---

### ENERGETIC FEATURES

---

## STUDIO 54 SRL

Via Gian Lorenzo Bernini 147 - 35010 San Giorgio in Bosco PD  
T +39 049 9450466 - F +39 0499451044 - Cod. fiscale e p.iva 00096970280 - R.E.A. n. 247856  
[www.studio-54.it](http://www.studio-54.it) [info@studio-54.it](mailto:info@studio-54.it)

## TECHNICAL DESIGN

## OPTIONAL

### STUDIO 54 SRL

Via Gian Lorenzo Bernini 147 - 35010 San Giorgio in Bosco PD  
T +39 049 9450466 - F +39 0499451044 - Cod. fiscale e p.iva 00096970280 - R.E.A. n. 247856  
[www.studio-54.it](http://www.studio-54.it) [info@studio-54.it](mailto:info@studio-54.it)