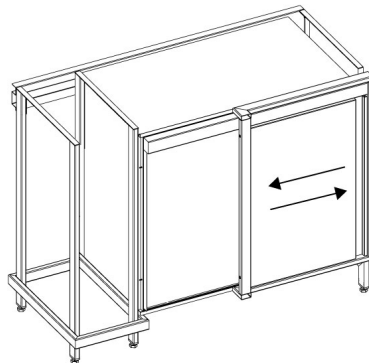


BAR LNE H760 1180x715 DX RIF. MOD. 71

7001021302



DIMENSIONS AND WEIGHTS

External dimensions in mm. (LxPxH): 1180x595x960
Net/gross weight in Kg.: -
Through-in door dimensions in mm. (LxP): -
Packaging dimensions in mm. (LxPxH): 1580x850x1150
Insulation thickness: /

TECHNICAL FEATURES

Voltage: /
Freon : /
Defrosting: /
Electronic temperature control device: No
Condensation discharge: /
Absorption (W): /
Construction materials: AISI 304 stainless steel / support frame in painted / galvanized steel
Out put: /
EVAPORATION RESISTANCE: /
DEFROSTING RESISTANCE: /
LIGHTING ABSORPTION: /
Refrigerant charge Kg: /
tCO2e: /

GENERAL FEATURES

Working temperature: /
Refrigeration system : /
Built-in motor: No
On castors: On demand
Lighting: No
Door with magnetic seal: -
Doors with return: -

ENERGETIC FEATURES

Climate class: /
Refrigeration Volume Vnref (L): /
Freezing Volume Vnfrz (L): /
Typology: /
Daily power consumption E24 h: /
Annual absorption AEC KWh/Annum: /
Performance: /
Category: /

STUDIO 54 SRL

Via Gian Lorenzo Bernini 147 - 35010 San Giorgio in Bosco PD
 T +39 049 9450466 - F +39 0499451044 - Cod. fiscale e p.iva 00096970280 - R.E.A. n. 247856
 www.studio-54.it info@studio-54.it

TECHNICAL DESIGN

OPTIONAL

STUDIO 54 SRL

Via Gian Lorenzo Bernini 147 - 35010 San Giorgio in Bosco PD
T +39 049 9450466 - F +39 0499451044 - Cod. fiscale e p.iva 00096970280 - R.E.A. n. 247856
www.studio-54.it info@studio-54.it