

DRP UR 5 H300 1745x650 +4/+10 230/50 R134a

66370035



DIMENSIONS AND WEIGHTS

External dimensions in mm. (LxPxH): 1745x650x670

Net/gross weight in Kg.: 45/60

Capacity (Liters): /

Packaging dimensions in mm. (LxPxH): 1865x770x850

Insulation thickness: 50

TECHNICAL FEATURES

Voltage: 230V / 50Hz / 1

Freon : R134a

Defrosting: /

Electronic temperature control device: Yes

Condensation discharge: /

Absorption (W): W / /A

Construction materials: /

Out put: /

EVAPORATION RESISTANCE: 3x150

DEFROSTING RESISTANCE: /

LIGHTING ABSORPTION: /

Refrigerant charge Kg: /

tCO2e: /

GENERAL FEATURES

Working temperature: +4°/+10°C

Refrigeration system : Air forced

Built-in motor: No

Lighting: /

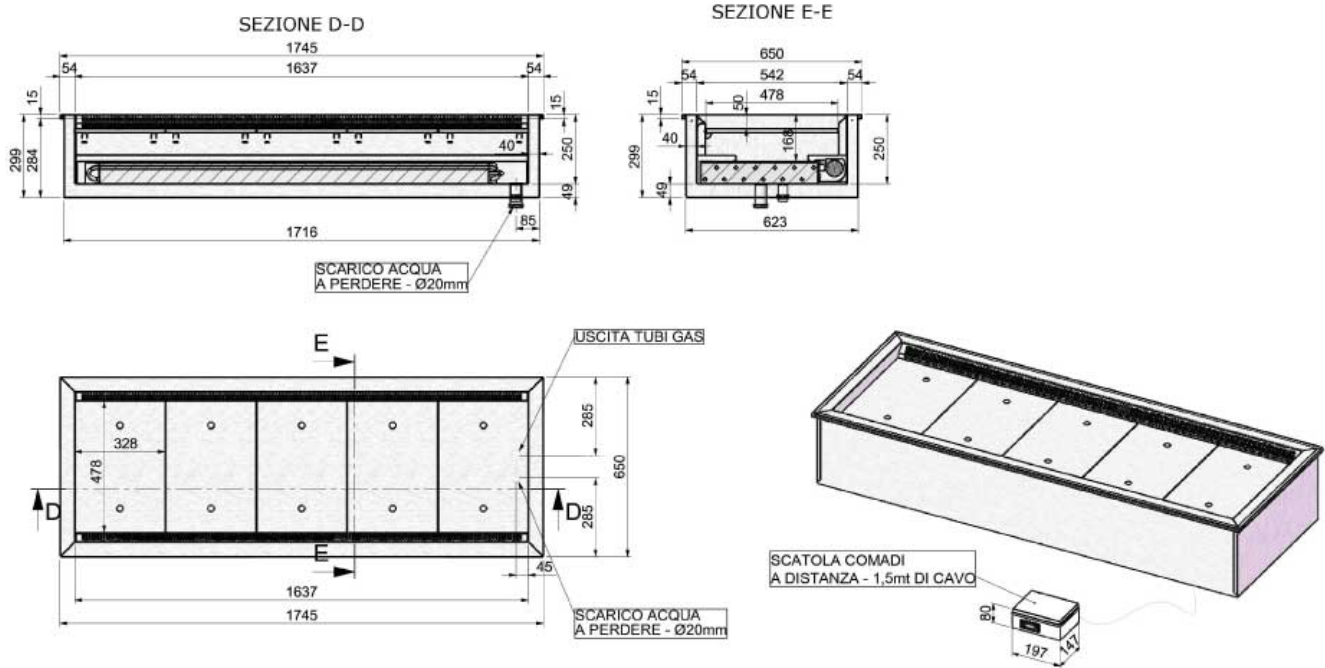
ENERGETIC FEATURES

Climate class: 4 (30°C - 55%)

STUDIO 54 SRL

Via Gian Lorenzo Bernini 147 - 35010 San Giorgio in Bosco PD
T +39 049 9450466 - F +39 0499451044 - Cod. fiscale e p.iva 00096970280 - R.E.A. n. 247856
www.studio-54.it info@studio-54.it

TECHNICAL DESIGN



STUDIO-54 S.r.l.
Via Gian Lorenzo Bernini 147, 35010 San Giorgio in Bosco (PD)
T. +39 049 9450466 - F. +39 049 9451044 - C.F. e P.I. 00096970280 - R.E.A. n. 247856
www.studio-54.it info@studio-54.it

OPTIONAL

STUDIO 54 SRL

Via Gian Lorenzo Bernini 147 - 35010 San Giorgio in Bosco PD
T +39 049 9450466 - F +39 0499451044 - Cod. fiscale e p.iva 00096970280 - R.E.A. n. 247856
www.studio-54.it info@studio-54.it