

## DRP UR 3 H300 1100x650 +4/+10 230/50 R134a

66370015



### DIMENSIONS AND WEIGHTS

External dimensions in mm. ( LxPxH ): 1100x650x300

Net/gross weight in Kg.: 35/50

Capacity ( Liters ): 530

Packaging dimensions in mm. (LxPxH): 1220x770x850

Insulation thickness: 40/50

### TECHNICAL FEATURES

Voltage: 230V / 50Hz / 1

Freon : R134a

Defrosting: Automatic

Electronic temperature control device: Yes

Condensation discharge: Automatic

Absorption ( W ): W / /A

Construction materials: External/internal body made in certified AISI 304 stainless steel

Out put: 934W

EVAPORATION RESISTANCE: 150

DEFROSTING RESISTANCE: /

LIGHTING ABSORPTION: /

Refrigerant charge Kg: /

tCO2e: /

### GENERAL FEATURES

Working temperature: +4° / +10°C

Refrigeration system : Air forced

Built-in motor: No

Lighting: No

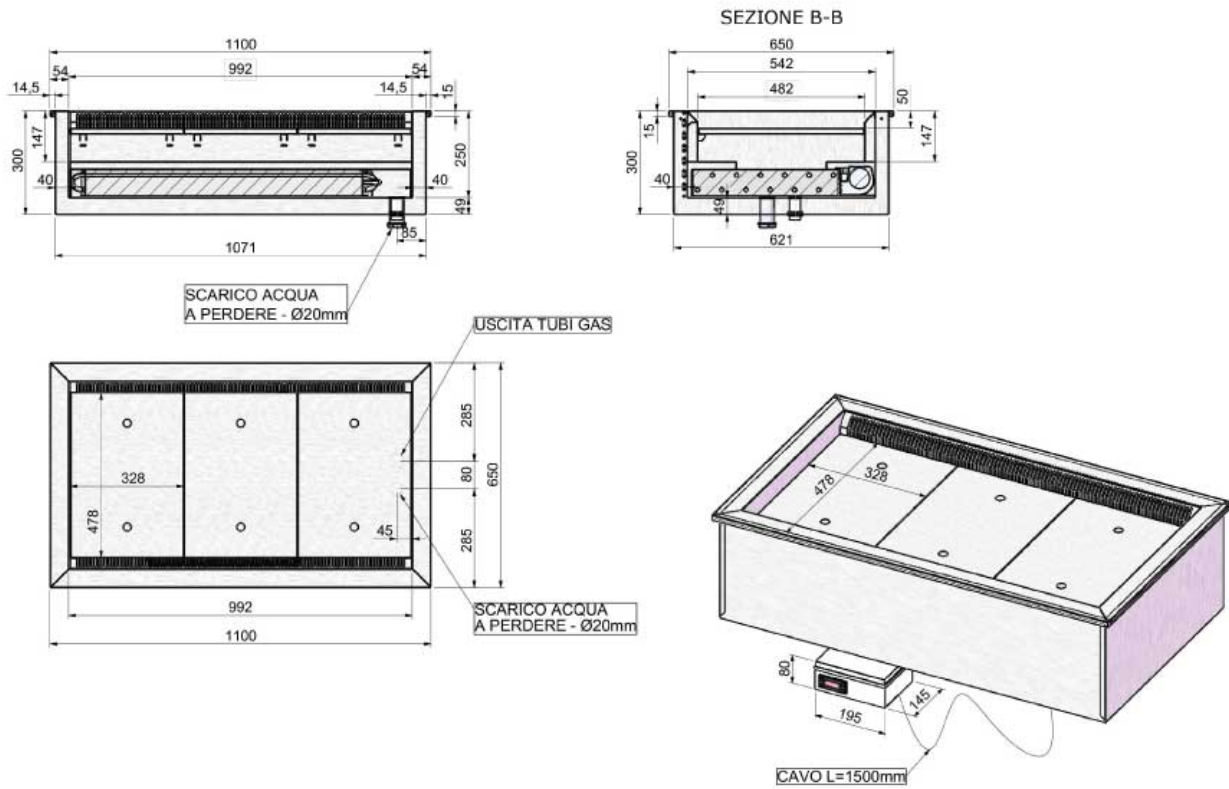
### ENERGETIC FEATURES

Climate class: 4 (30°C - 55%)

## STUDIO 54 SRL

Via Gian Lorenzo Bernini 147 - 35010 San Giorgio in Bosco PD  
T +39 049 9450466 - F +39 0499451044 - Cod. fiscale e p.iva 00096970280 - R.E.A. n. 247856  
www.studio-54.it info@studio-54.it

# TECHNICAL DESIGN



STUDIO-54 S.r.l.  
Via Gian Lorenzo Bernini 147, 35010 San Giorgio in Bosco (PD)  
T. +39 049 9450466 - F. +39 049 9451044 - C.F. e P.I. 00096970280 - R.E.A. n. 247856  
[www.studio-54.it](http://www.studio-54.it) [info@studio-54.it](mailto:info@studio-54.it)

## OPTIONAL

### STUDIO 54 SRL

Via Gian Lorenzo Bernini 147 - 35010 San Giorgio in Bosco PD  
T +39 049 9450466 - F +39 0499451044 - Cod. fiscale e p.iva 00096970280 - R.E.A. n. 247856  
[www.studio-54.it](http://www.studio-54.it) [info@studio-54.it](mailto:info@studio-54.it)