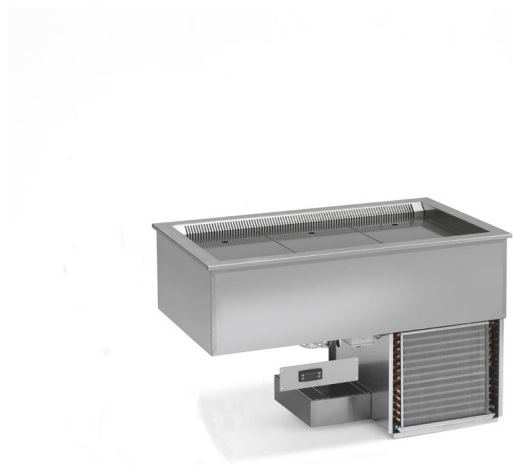


DRP MT 3 H670 1100x650 +4/+10 § 230/50 R290

66370013



DIMENSIONS AND WEIGHTS

External dimensions in mm. (LxPxH): 1100x650x670

Net/gross weight in Kg.: 75/105

Capacity (Liters): 530

Packaging dimensions in mm. (LxPxH): 1220x770x850

Insulation thickness: 40/50

TECHNICAL FEATURES

Voltage: 230V / 50Hz / 1

Freon : R290

Defrosting: Automatic

Electronic temperature control device: Yes

Condensation discharge: Automatic

Construction materials: External/internal body made in certified AISI 304 stainless steel

Out put: /

EVAPORATION RESISTANCE: /

DEFROSTING RESISTANCE: /

LIGHTING ABSORPTION: /

GWP: 3

GENERAL FEATURES

Working temperature: +4° / +10°C

Refrigeration system : STATIC

Built-in motor: Yes

Lighting: No

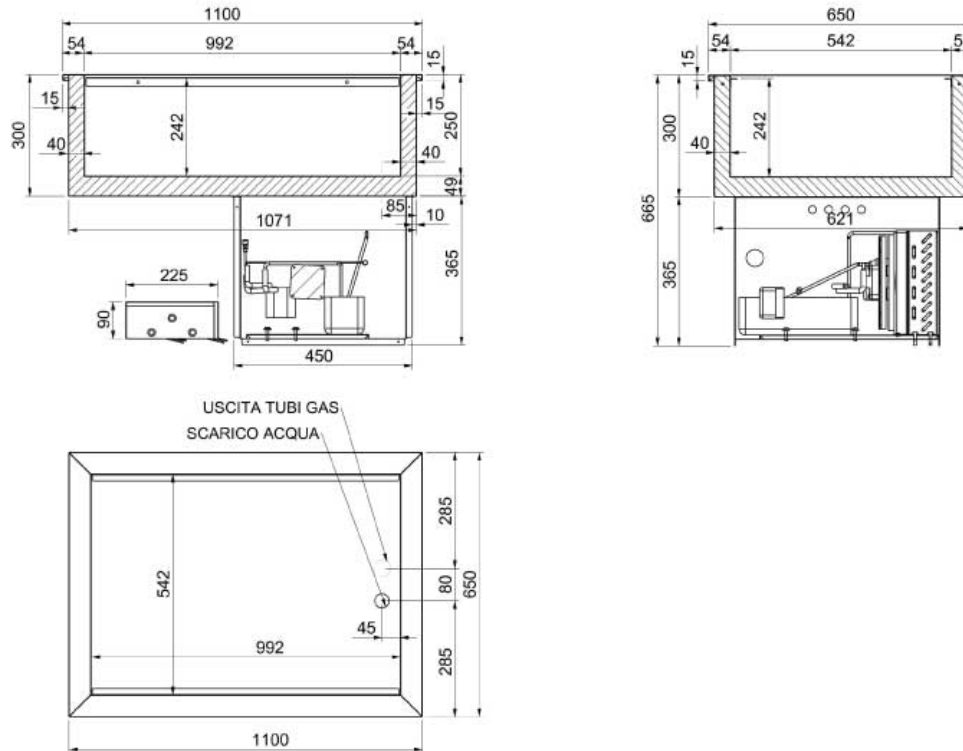
ENERGETIC FEATURES

Climate class: 4 (30°C - 55%)

STUDIO 54 SRL

Via Gian Lorenzo Bernini 147 - 35010 San Giorgio in Bosco PD
T +39 049 9450466 - F +39 0499451044 - Cod. fiscale e p.iva 00096970280 - R.E.A. n. 247856
www.studio-54.it info@studio-54.it

TECHNICAL DESIGN



STUDIO-54 S.r.l.
Via Gian Lorenzo Bernini 147, 35010 San Giorgio in Bosco (PD)
T. +39 049 9450466 - F. +39 049 9451044 - C.F. e P.I. 00096970280 - R.E.A. n. 247856
www.studio-54.it info@studio-54.it

OPTIONAL

STUDIO 54 SRL

Via Gian Lorenzo Bernini 147 - 35010 San Giorgio in Bosco PD
T +39 049 9450466 - F +39 0499451044 - Cod. fiscale e p.iva 00096970280 - R.E.A. n. 247856
www.studio-54.it info@studio-54.it