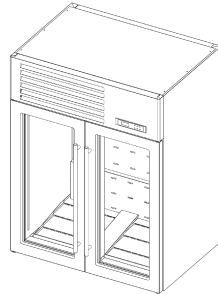


VETRINA MEAT 2PV 900x645 H1176
MATURAZIONE
66330005



DIMENSIONS AND WEIGHTS

TECHNICAL FEATURES

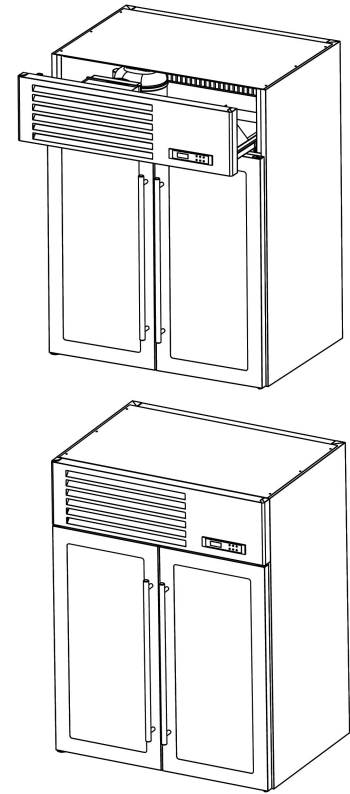
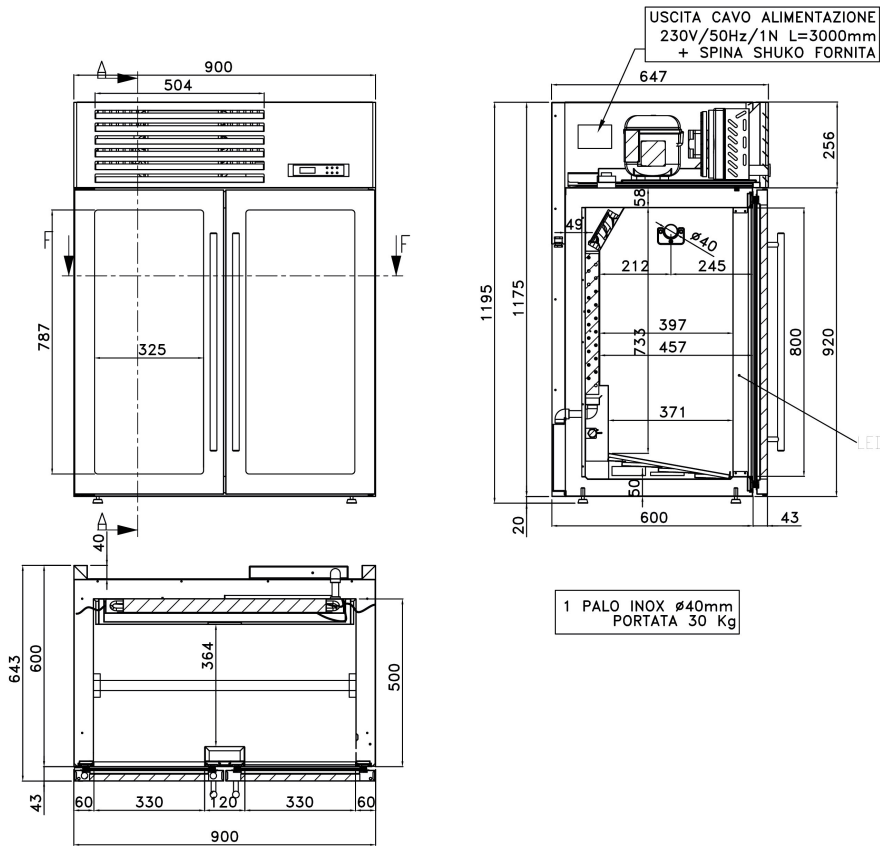
GENERAL FEATURES

ENERGETIC FEATURES

STUDIO 54 SRL

Via Gian Lorenzo Bernini 147 - 35010 San Giorgio in Bosco PD
T +39 049 9450466 - F +39 0499451044 - Cod. fiscale e p.iva 00096970280 - R.E.A. n. 247856
www.studio-54.it info@studio-54.it

TECHNICAL DESIGN



OPTIONAL

STUDIO 54 SRL

Via Gian Lorenzo Bernini 147 - 35010 San Giorgio in Bosco PD
T +39 049 9450466 - F +39 0499451044 - Cod. fiscale e p.iva 00096970280 - R.E.A. n. 247856
www.studio-54.it info@studio-54.it